

# PELLET HEATER P944



*Evolving from the classic wood-burning heater style, the P944 offers all the advantages of modern wood pellet heating technology combined with a traditional simple square style. This will ensure the P944 will suit the most discerning eco conscience buyer.*

*Fully programmable and optional Wi-Fi Connectivity ensures you have control of your home heating. It even tells you when it needs more pellets! Available in a range of great colours, that will suit any décor. Pellet heating is up to 70% more efficient than traditional wood stoves and have significantly lower emissions levels. It's comfort with a conscience.*

## COLOUR CHOICE

*Colours Canapa, Grigio Ferro & Bruno Rame are only available on order*



**Bordeaux**

**Grigio  
Ferro**

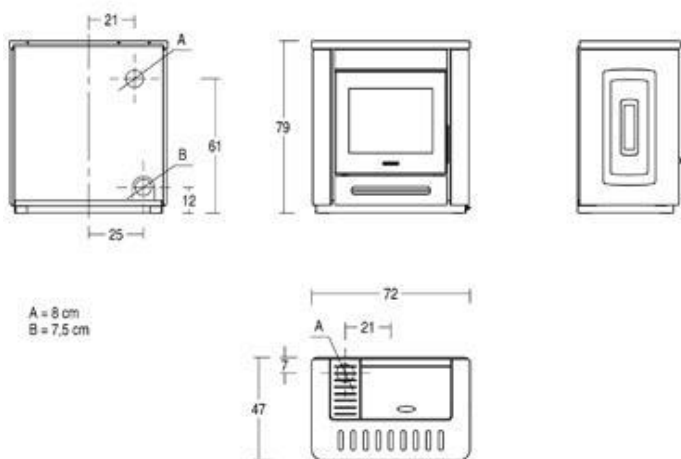
**Canapa**

**Bianco  
Grigio**

**Bruno  
Rame**

## WHAT YOU NEED TO KNOW

*Pellet heaters like other heaters & stoves need to be installed by a licenced plumber or trained installer. Regular maintenance and cleaning will enhance the performance and life of your heater. We recommend "RedHot" Pellets for optimum performance.*



## TECHNICAL DATA

• Firebox heat output kW	9 KW
• Nominal heat output (min-max) kW	3.5 – 9.2
• Room heating capacity (min-max) m <sup>3</sup>	155 - 265
• Nominal thermal efficiency %	88.4
• Nominal consumption (min – max)	0.8 – 2.2
• Electric power consumption (W)	100 – 380
• Standard flue outlet Ø cm	8 – rear
• Hopper Capacity kg	18
• Dimensions W x D x H cm	72 x 47 x 79
• Stove weight kg	150
• Heating	Multifuoco System®
• Power Adjustable (positions)	4
• Multifuoco Levels	3 Speed Levels

## GENERAL CHARACTERISTICS

• Cladding	Majolica
• Top	Majolica/Steel
• Firebox	Steel
• Baffle Plate	Cast Iron
• Brazier	Cast Iron
• Door	Cast Iron
• Door Handle	Hide Away & Detachable
• Standard Flue Outlet Position	Rear
• Optional Flue Outlet Position	Not available
• Multifunction LCD Remote	Yes
• Humidifier	Yes
• Power Levels	4
• Programmable Timer-Thermostat	Daily, weekly & weekend.
• Ceramic Glass	Resistant up to 750°
• Air Glass Cleaning System	Yes
• Pellet Level Sensor	Yes
• Ash Drawer	Removable
• Remote Stove Wi-Fi Control	Optional
• Energy Saving	Yes
• Eco Function	Yes
• Installation *	Wall

*\* Please refer to instruction manual for detailed installation specifications*

[www.piazzetta.com.au](http://www.piazzetta.com.au)

Piazzetta Italy are the premier pellet heater manufacturer in Europe. Their unique patented design results in more efficient heating than any other product on the Australian market. Control at your fingertips - either by remote or from your mobile phone - that's convenience!



## GREAT PRACTICALITY and CONTINUOUS FIRE TECHNOLOGY

Pellets are the ecological fuel par excellence. They are practical, easy to handle and to store and produce heat without harming the environment. Piazzetta pellet stoves guarantee self-regulating capacity as well as practical ignition and programming management.



## MULTIFUOCO SYSTEM

Perfect warmth from the floor to the ceiling.

Standard on all models, Multifuoco System® is the extraordinary forced ventilation system with various speed settings which, together with many power levels, offers up to 20 combinations of operation. Multifuoco System® allows the heat produced by the stove to be distributed evenly throughout the room and also in adjacent rooms.



## DUAL POWER SYSTEM

Two independent fans.

To obtain the best warm air flow in various rooms, pellet stoves are fitted with a double fan. The option of the two fans can be modulated separately according to the length of ducting. Therefore you can use the two fans for separate management of different temperatures.



## MULTICOMFORT

Saving in all comfort.

The LCD remote control with Multicomfort function gives you control over the temperature in the room where the stove is installed or in adjacent rooms. The remote control also acts as a timer thermostat offering weekly, daily and weekend programming options.



## REMOTE CONTROL SYSTEM

Switching on and off by SMS.

Piazzetta heaters offer an optional remote control system that allows you to control your heater, even when you are away from home, by sending a simple SMS.



## CONTINUOUS FIRE

More than 46 hours of burn time with 60kg of pellets.

Tests carried out in Piazzetta laboratories have shown that pellet stoves with a high capacity hopper can boast an outstandingly long burn time up to 4 days.



## ROBUST CONSTRUCTION

Guarantee of sturdiness and durability.

With door, firebox and braziers up to 15 mm thick, Piazzetta's are guaranteed to be structurally robust and durable.



## AIR GLASS SYSTEM

Ventilated ceramic glass.

Air flows constantly over the ceramic glass, which is heat resistant up to 750°C, and in so doing helps to keep it clean.



## EASY CLEANING

Maintenance couldn't be easier.

The cyclic system for cleaning the brazier while the stove is in operation optimizes combustion and efficiency. Making routine maintenance when the stove is cold much simpler and more straightforward.



## IGNITION TEST

Complete cycle test.

To ensure the highest quality, every Piazzetta stove undergoes stringent final testing and inspection before being placed on the market.

## ELECTRONIC MONITORING

Troubleshooting.

Piazzetta pellet stoves are constantly monitored by the electronic board so that you can always rest assured they are working properly. Any malfunction is shown with easy identifiable messages on the remote control display.



## SAFETY

Automatic re-start.

Piazzetta's innovative system ensures that in the case of a brief power outage or accidental door opening, the stove, after shut off will re-start automatically without your intervention.



# Piazzetta – Australia

[www.piazzetta.com.au](http://www.piazzetta.com.au)

Ph:02 6496 2277

Email: [sales@piazzetta.com.au](mailto:sales@piazzetta.com.au)